

Betonmaße:

Concrete dimensions:

Dimensiones del hormigón:

a = X mm

b = X mm

c = X mm

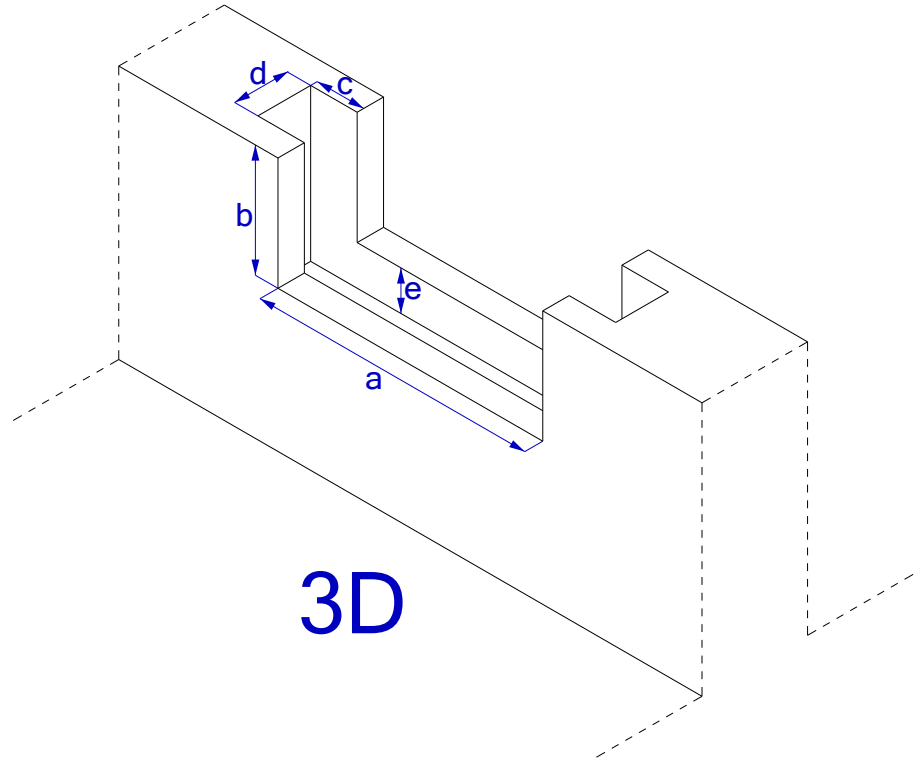
d = X mm

e = X mm

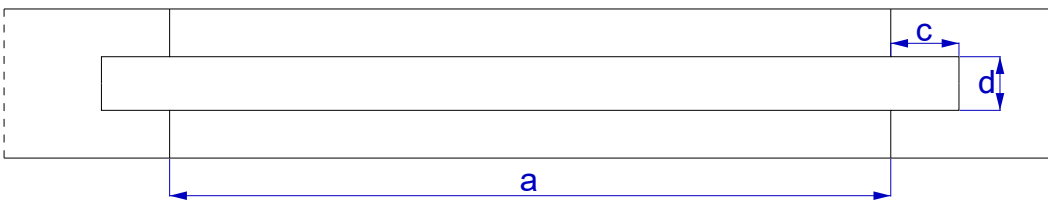
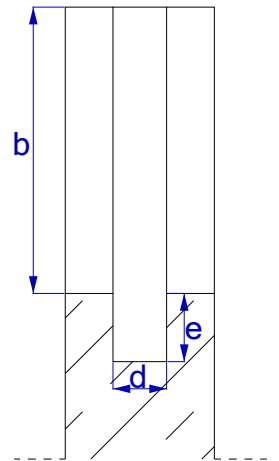
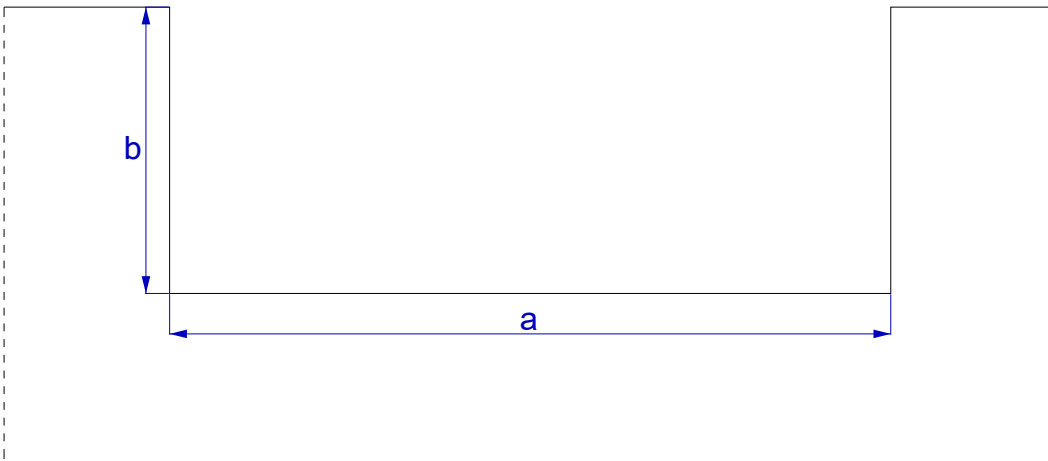
HYDROSIGHT

Project: XXXXX
Author: X. YYYYY
All dimensions in mm
Thursday, February 27, 2025

Hydrosight GmbH
Dechant Sprünken Straße 51a
46446 Emmerich - Germany
Tel. +49 2822 60 250 900
Email: io@hydrosight.com



3D



2D

Date: _____

Name: _____

Signature: _____