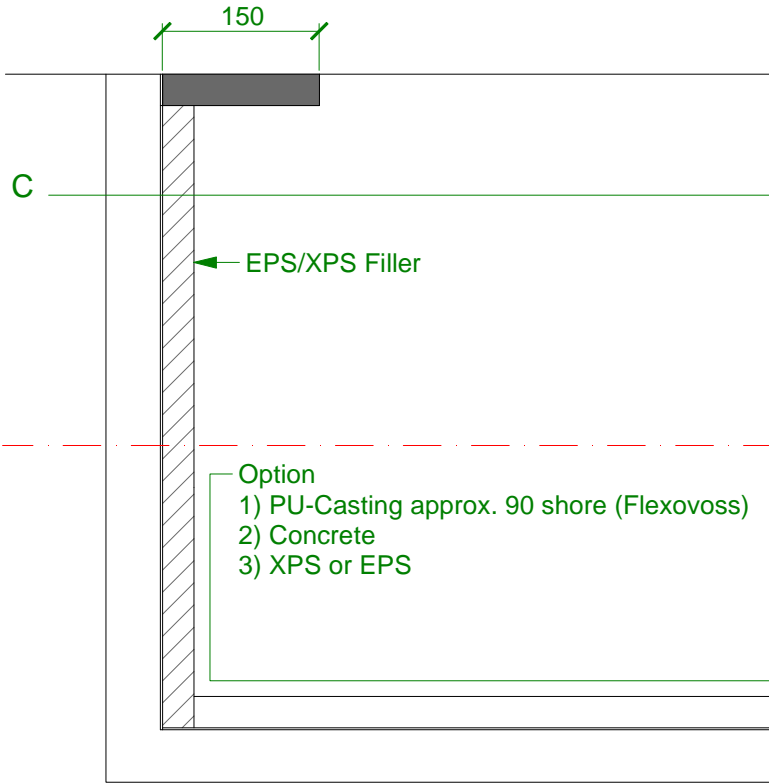
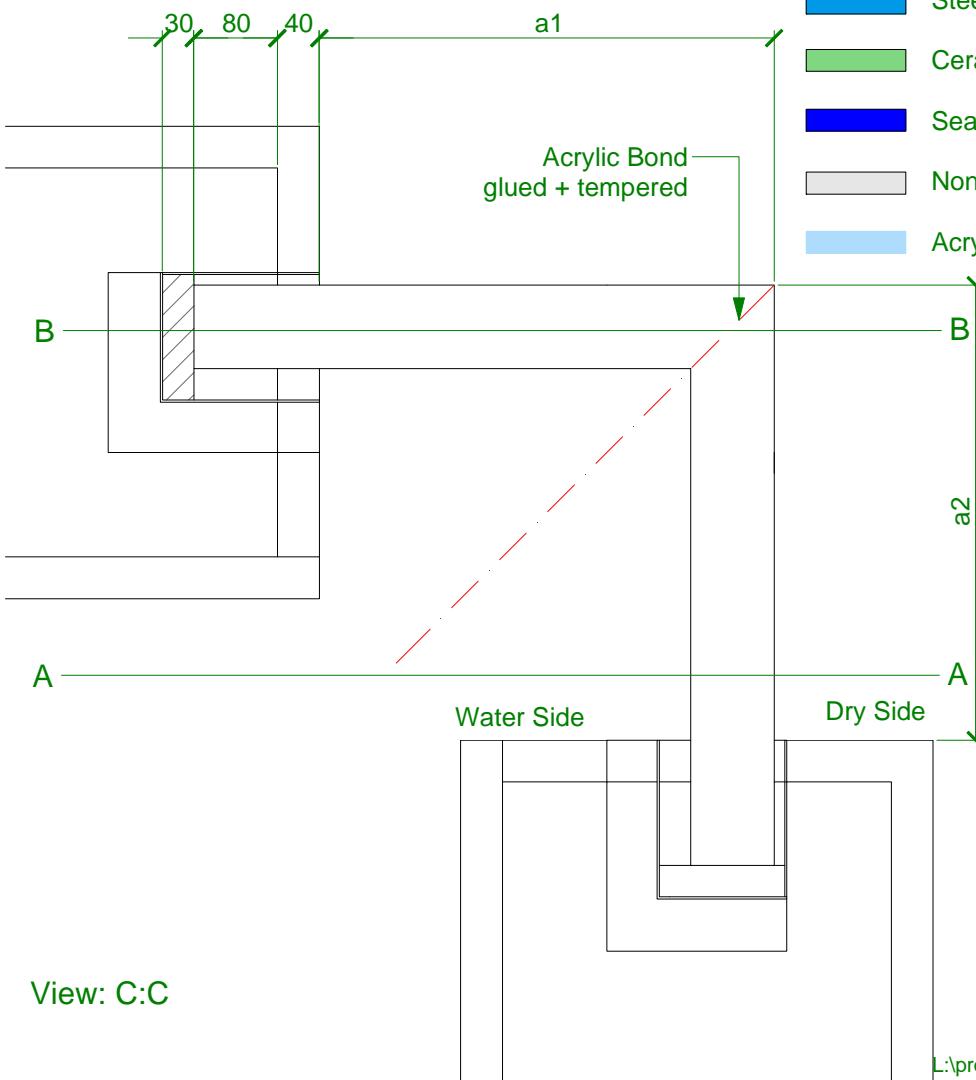
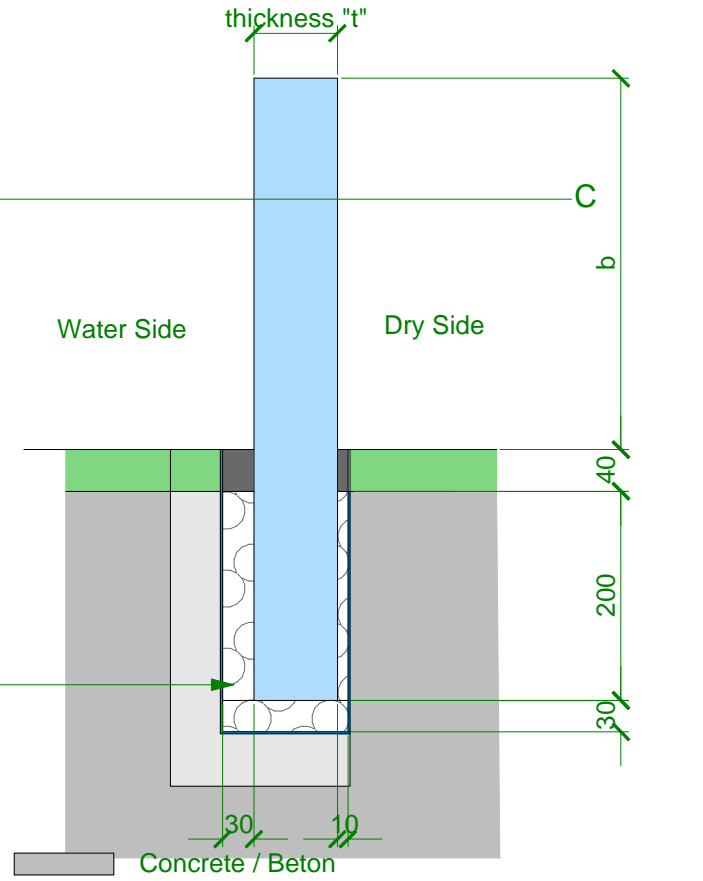


View: B:B



View: A:A



Hydrosight

project: P52
 date: 21 June 2017
 author: M.Meinesz
 All dimensions in millimeters

Hydrosight - Lise-Meitner-Str.14
 46446 Emmerich - Germany
 Tel. +49 2822 60 250 900
 Email: io@hydrosight.com

(c) Hydrosight 2009. This calculation comes with absolutely no warranty, to the extent permitted by applicable law